

Composting Machines
Crushers
Wood Chippers
Waste Shredder

Husmann
ZERKLEINERUNGS-KOMPOSTIERUNGS-TECHNIK



H 10

Material to be processed:	up to approx. 270 mm
Diameter of cutter disc:	1.080 mm
Thickness of cutter disc:	40 mm
Infeed opening (W x H):	425 x 270 mm
Infeed table / hopper:	1.540 x 900 mm



Industrial Shredding Systems Ltd.

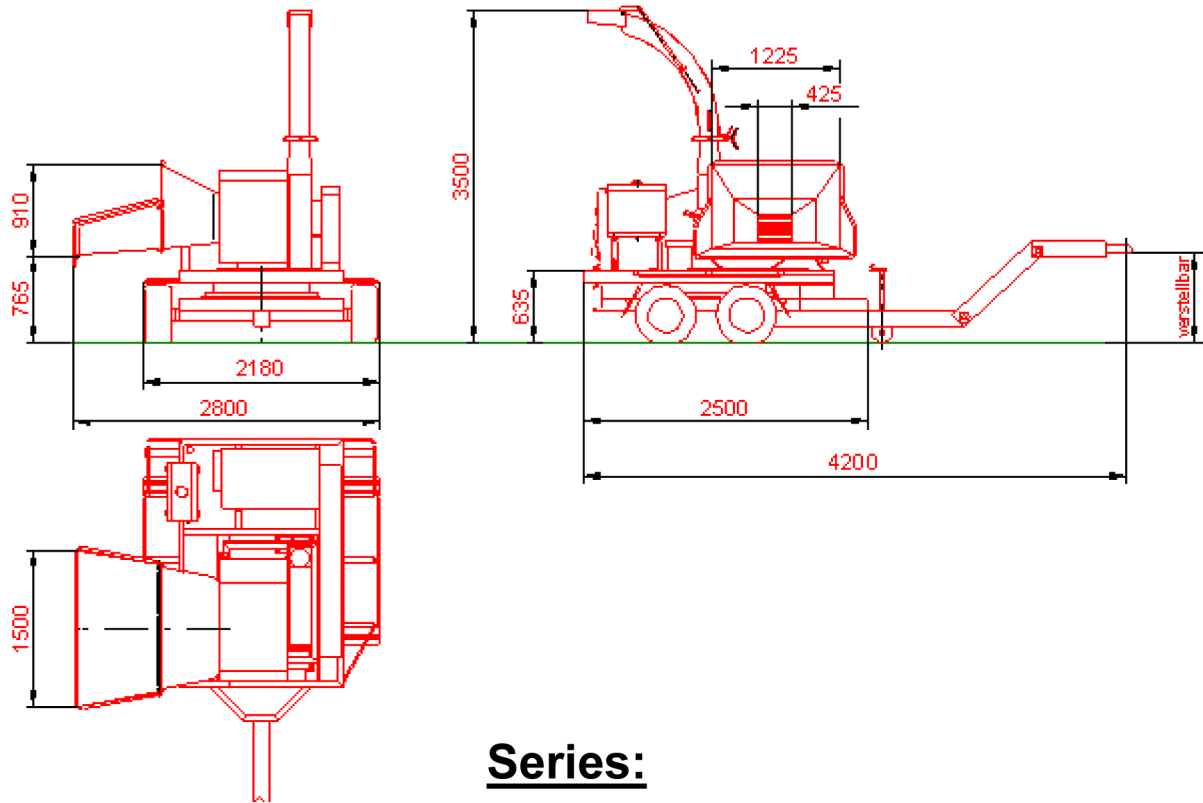
Tel: +44 (0)1954 715354

enquiries@shreddingsystems.co.uk | www.shreddingsystems.co.uk



Composting Machines
 Crushers
 Wood Chippers
 Waste Shredder

Husmann
 ZERKLEINERUNGS-KOMPOSTIERUNGS-TECHNIK



Series:

Art.-Nr.:	Model	Design
23100000	H 10 Z	P.T.O. drive, powered by towing vehicle via cardan shaft (1000 r.p.m.), minimum power required P = approx. 70 kW
23250000	H 10 M	Powered by Hatz diesel engine with P = 51,4 kW, electric cold starter, chassis with 80 km/h speed axle, lighting, TÜV approval

Special design on request!!

Industrial Shredding Systems Ltd.

Tel: +44 (0)1954 715354

enquiries@shreddingsystems.co.uk | www.shreddingsystems.co.uk

