

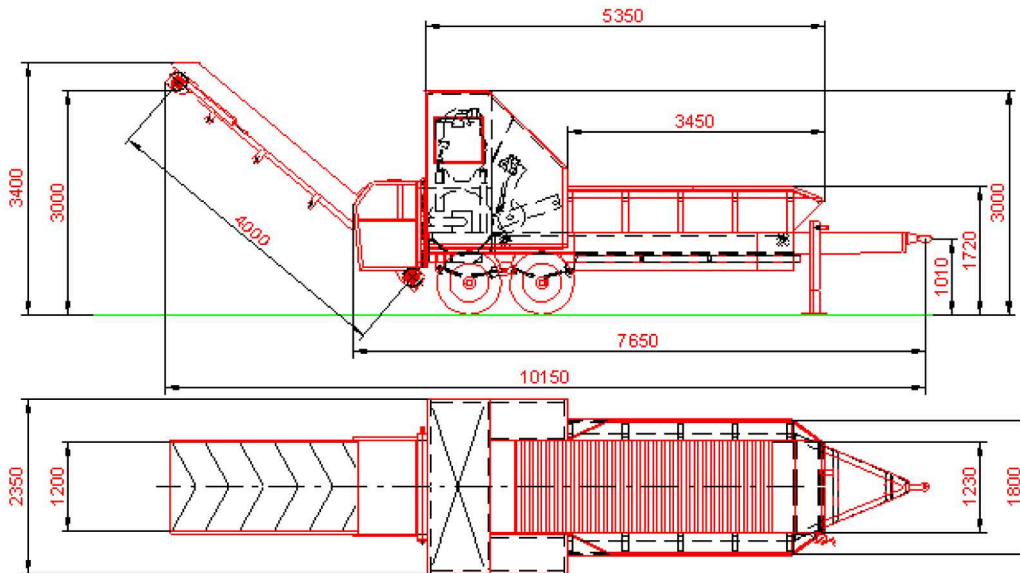
Composting Machines
Crushers
Wood Chippers
Waste Shredder



HFG IV

Description:

Mobile composting machine for organic and inorganic waste up to approx. 200 mm



Industrial Shredding Systems Ltd.

Tel: +44 (0)1954 715354

enquiries@shreddingsystems.co.uk | www.shreddingsystems.co.uk





Technical Equipment:

Chassis:

Welded steel construction with towing eye according to DIN

Brake System:

Dual circuit air brake for 80 km/h speed axle

Lighting:

According to StVZO (German Road Traffic Regulations)

Infeed:

Pendulum infeed roller, powered hydraulically, guided by two racks
Infeed opening (W x H): 1.200 mm x 400 mm

Rotor:

96 hammers, width: 15 mm
or 60 hammers, width 50 mm
Each single hammer can be replaced
Width of rotor: 1.230 mm
Diameter of rotor: 850 mm

Weights:

Unladen weight: 8.500 kg
Permissible axle load: 10.000 kg
Sustainer load: 500 kg

Painting:

RAL 5010
special painting on request

Price:

See price list, incl. lighting, TÜV approval, certificate of registration

Axle Unit:

Tandem axle (10 tons)
TÜV approval for 80 km/h speed axle

Tyres:

4 tyres size 265/70R 19.5 on 19.5 x 7.50 rim

Drive:

Direct drive by means of 8 V-belts

Infeed Belt:

Highly wear and tear resistant, forged special chain
Infeed belt width: 1.230 mm
Infeed belt length: 3.450 mm

Hydraulic System:

Infeed roller and infeed belt are powered separately. Their speeds are infinitely variable. Overload protection through speed monitoring and auto reverse. Hydraulic tank with a capacity of 80 litres.

Accessories:

Auto reverse, remote control, hydraulically lowerable screen, alternatively hammers with hardened pins, outfeed conveyor, magnetic separator

Engine:

Caterpillar turbo diesel engine with a performance of P = 152 kW

Dimensions:

Total length: approx. 7.650 mm
Width: approx. 2.350 mm
Height: approx. 3.000 mm
Height of coupling: 1.010 mm
Height of infeed: 1.720 mm
Length of infeed: 3.450 mm
Width of infeed: 1.800 mm