

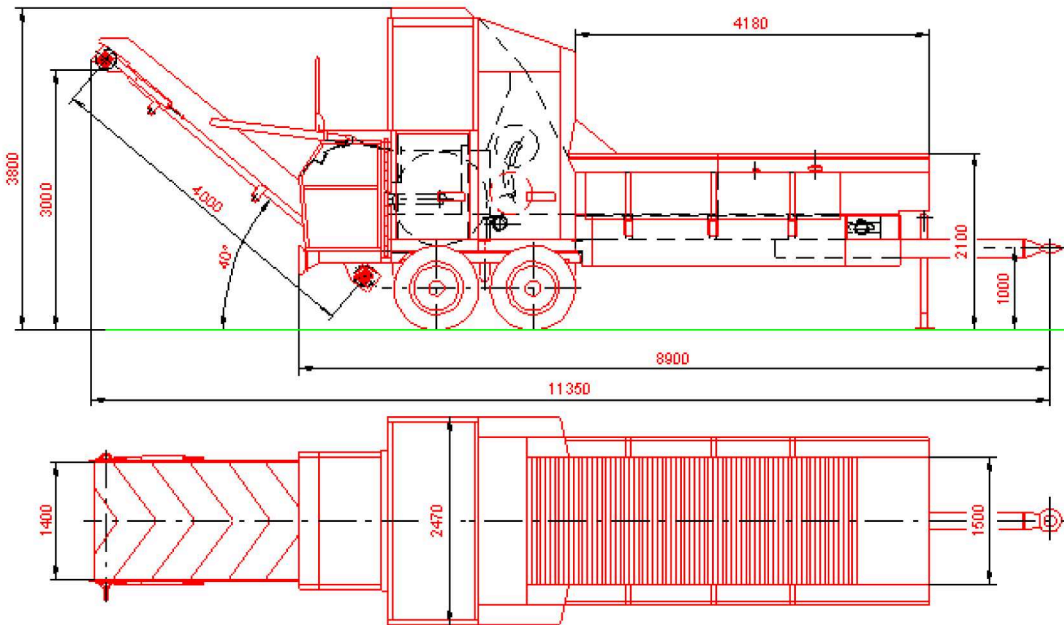
Composting Machines
Crushers
Wood Chippers
Waste Shredder



HFG V V7

Description:

Mobile composting machine for organic and inorganic waste up to approx. 700 mm



Industrial Shredding Systems Ltd.

Tel: +44 (0)1954 715354

enquiries@shreddingsystems.co.uk | www.shreddingsystems.co.uk





Technical Equipment:

Chassis:

Welded steel construction with towing eye according to DIN

Brake System:

Dual circuit air brake with ABS

Hydraulic System:

Infeed roller and infeed belt are separately powered. Their speeds are infinitely variable. Overload protection through speed monitoring and auto reverse. Hydraulic tank with a capacity of 220 litres.

Rotor:

42 hammers, width: 80 mm
Each single hammer can be replaced
Width of rotor: 1.500 mm
Diameter of rotor: 1.000 mm

Drive:

Joint V-belts (8) with turbo coupling

Painting:

Special painting – all RAL colours
Standard RAL 5010 / RAL 1021

Dimensions:

Total length: approx. 8.500 mm
Width: 2.500 mm
Height: approx. 3.800 mm
Height of coupling: 900 mm
Height of infeed: 1.900 mm
Length of infeed: 4.800 mm
Width of infeed: 1.900 mm

Axle Unit:

Tandem axle (approx. 15 tons)
TÜV approval for 80 km/h speed axle

Tyres:

4 tyres size 385 / 65 R 22.5

Infeed:

Pendulum infeed roller, hydraulically driven, guided by two racks.
Dimensions of the feeding opening (W x H):
1.500 mm x 700 mm

Infeed Belt:

Highly wear and tear resistant, forged special chain
Width: 1.500 mm
Length: 4.000 mm

Weights:

Unladen weight: approx. 15.000 kg
Sustainer load: 900 kg

Accessories:

Remote control, hydraulically foldable screen, hydraulically powered drive, discharge belt, magnetic separator

Price:

See price list, incl. lighting, TÜV approval, certificate of registration and auto reverse