

# Hydraulic Vertical Baler

# DIXI®

# NEW 10 S

A power-parcel in the smallest  
place: High compaction force with a  
low space requirement



**DIXI  
4 S**

Compaction force 4 t  
Bale weight 30-50 kg



**DIXI  
5 S-K**

Compaction force 6 t  
Bale weight 40-60 kg



**DIXI  
18 S**

Compaction force 18 t  
Bale weight 120-180 kg



**DIXI  
25, 30 S**

Compaction force 25-30 t  
Bale weight 250-360 kg



**DIXI  
60, 80 S**

Compaction force 60-80 t  
Bale weight 340-700 kg



# DIXI<sup>®</sup> 10 S

These baling presses are especially recommended for the retail trade and small to medium sized factories of any market sector.

- Micro processor control without limit switch. Low maintenance design. Well arranged LCD display.
- Automatic start when closing the feed flap – rapid compaction cycle, automatic ram return.
- Adjustable compaction time: The material can be kept under pressure.
- Easy tying of the bales and complete bale ejection.
- Two-phase hydraulic unit of the control block guarantees a rapid compaction cycle.
- Generous hydraulics: High compaction force with low hydraulic pressure and low drive performance.
- Alteration: Cardboard – foil



Compaction of plastic material (foil)



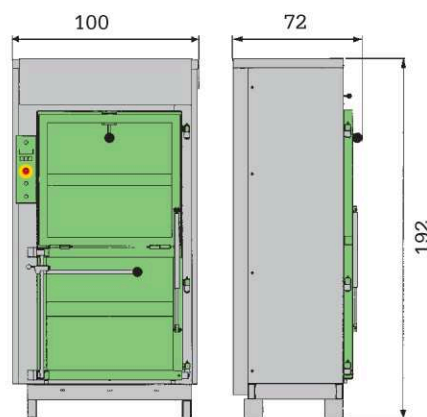
Press ram and ejector

Model DIXI		10 S
Motor	kW	2
Voltage	V/Hz	400/50
Compaction force max.	t	8,5
Cycle time	s	29
Compaction time	s	19
Opening w x h	cm	68 x 62
Opening height from floor	cm	97
Bale size w x h x d approx.	cm	70 x 49 x 70
Bale weight* max.	kg	50-80
Overall width	cm	100
Overall depth	cm	72
Overall height	cm	192
Gross weight	kg	550

\*depending upon type of material  
 Technical details and colours subject to change without prior notice. (1.04)

## Special equipment:

- Explosion proof version
- Adaptor to compact tins
- Mobile on casters



Industrial Shredding Systems Ltd.  
 Tel: +44 (0)1954 715354  
 enquiries@shreddingsystems.co.uk  
 www.shreddingsystems.co.uk

