

Hydraulic Vertical Baler

DIXI®

25/30 S

... the hydraulic vertical
high performance
balers.



**DIXI
4 S**

Compaction force 4 t
Bale weight 30-50 kg



**DIXI
5 S-K**

Compaction force 6 t
Bale weight 40-60 kg



**DIXI
10 S**

Compaction force 8,5 t
Bale weight 50-80 kg



**DIXI
18 S**

Compaction force 18 t
Bale weight 120-180 kg



**DIXI
60, 80 S**

Compaction force 60-80 t
Bale weight 340-700 kg



DIXI® 25/30 S

With the hydraulic vertical high performance baler with 25 or 30 tons compaction force, economically recyclable bales of up to 360 kg are compacted. Advantage: No re-compacting of the bale is necessary in the recycling chain. This makes these bales particularly attractive and marketable.

- Micro-processor control without limit switch. Low maintenance design. LCD display.
- Displayed are the operating functions and possible operation errors. The bale size and the switching from paper to foil can be programmed.
- Automatic start: feed the baler through the flap and close it - rapid compacting cycles, automatic ram return
- Adjustable compaction time: material can be held under pressure
- Easy tie off of the bales and hydraulic, complete bale ejection
- Rapid compacting cycles ensured by two-phase hydraulic unit
- Generous hydraulics ensure high compaction force with low hydraulic pressure and low drive performance.

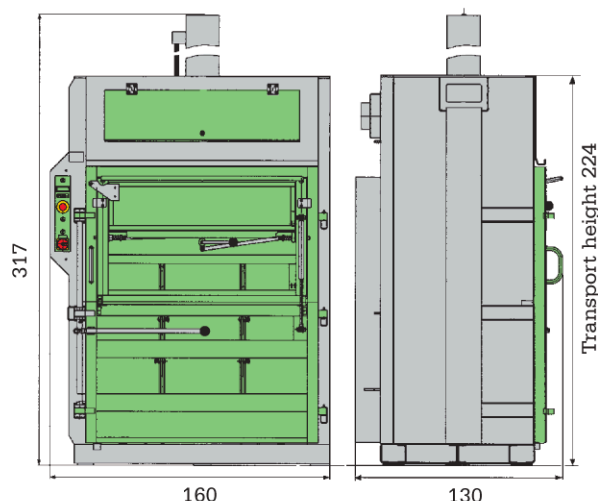


The control panel

| Model DIXI | | 25 S | 30 S |
|--------------------------------|------|-------------------|---------|
| Motor | kW | 5,5 | 7,5 |
| Voltage | V/Hz | 400/50 | |
| Compaction force max. | t | 25 | 30 |
| Cycle time | s | 24 | 29 |
| Compaction time | s | 13 | 14 |
| Opening w x h | cm | 120 x 67 | |
| Height from floor | cm | 94 | |
| Two section feed flap w x h | cm | 107 x 26 | |
| Height from floor | cm | 131 | |
| Bale size* w x h x d approx | cm | 120 x 80 x 80-110 | |
| Bale weight** | kg | 250-320 | 270-360 |
| Overall width | cm | 160 | |
| Overall depth | cm | 130 | |
| Overall height*** | cm | 317 | |
| Gross weight | kg | 1700 | 1700 |

Special equipment:

- Explosion proof version
- Connection for dust extraction
- Hydraulic door locking mechanism
- Two section feed flap



*Bale size adjustable **depending upon type of material ***Transport height 224 cm
Technical details and colours subject to change without notice. (01.04)

Industrial Shredding Systems Ltd.
Tel: +44 (0)1954 715354
enquiries@shreddingsystems.co.uk
www.shreddingsystems.co.uk

