

Hydraulic Vertical Baler

DIXI®

NEW

60 S / 80 S

60 / 80 t compaction force with a
low overall height



**DIXI
4 S**

Compaction force 4 t
Bale weight 30-50 kg



**DIXI
5 S-K**

Compaction force 6 t
Bale weight 40-60 kg



**DIXI
10 S**

Compaction force 8,5 t
Bale weight 50-80 kg



**DIXI
18 S**

Compaction force 18 t
Bale weight 120-180 kg

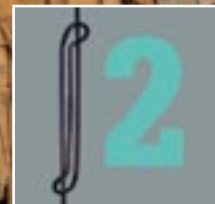


**DIXI
25, 30 S**

Compaction force 25-30 t
Bale weight 250-360 kg



...with the new
quick acting
closure wire eyes





60 S / 80 S

With 60 / 80 t compaction force – for bales of up to 700 kg suitable for recycling.

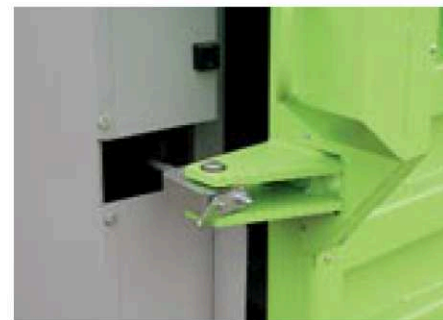
- Low overall height of only 217 cm – no assembly when installing the machine on site
- The automatic opening of the feed flap assures easiest filling of the press chamber.
- Micro processor control without limit switch. Low maintenance design. Well arranged LCD display. The operating functions and possible operation errors are displayed.
- Switching of the programming from “paper” materials to “foil” materials
- Automatic start when closing the feed flap – rapid compaction cycle, automatic ram return
- Adjustable compaction time: The material can be kept under pressure
- Easy tying of the bales with tying wire**
- Hydraulic, complete bale ejection
- Generous hydraulics: High compaction force with low hydraulic pressure and low drive performance



Even wooden crates and similar objects are no problem for the DIXI 60 / 80 S.



Easiest tying with wire.**

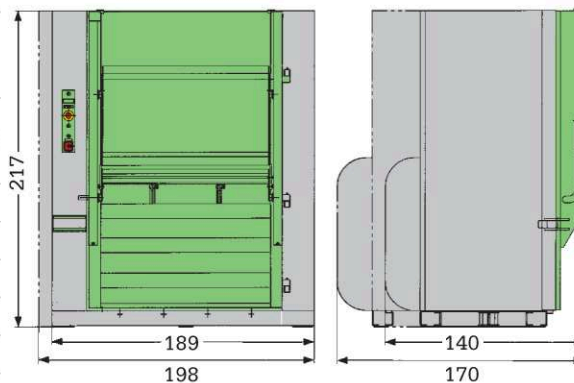


The hydraulic door opening mechanism

Model DIXI		60 S	80 S
Motor	kW	7,5	11
Voltage	V/Hz	400/50	400/50
Compaction force	max. t	60	80
Cycle time	s	36	39
Compaction time	s	16	20
Open feed flap	w x h cm	116 x 55	120 x 63
	Hight from floor cm	118	118
Bale size	w x h x d approx. cm	120 x 80 x 110	120 x 110 x 110
Bale weight*	kg	340-500	500-700
Overall width	cm	189	198
Overall depth	cm	140	170
Overall height	cm	217	217
Gross weight	kg	2430	3350

Special equipment:

- Connection for dust extraction
- Explosion proof version



*depending upon type of material

** optional for DIXI 60 S: tying with tying tape

Technical details and colours subject to chance without prior notice.1.04

Industrial Shredding Systems Ltd.
 Tel: +44 (0)1954 715354
 enquiries@shreddingsystems.co.uk
 www.shreddingsystems.co.uk

